

# moustache monty

An adapter to hold a  
trombone by

**meru**  
disabilities to possibilities

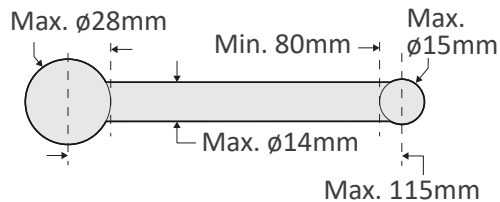
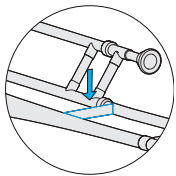


## About Monty

Monty is a helpful moustache that will hold a trombone whilst it is being played. Monty fits onto the Millenium CB-801, CS-901, and CB-901.

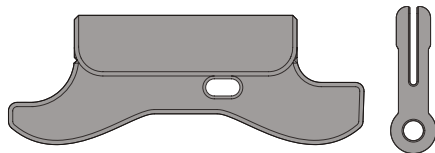
## Fit

Monty has been tested with the following Jupiter trombones; JTB500Q, JTB700Q, JTB700SQ, JTB700V, JTB700VS, JTB700VR, JTB1100Q, JTB1100SQ, and JTB1100RQ. Else, measure the brace closest to the Bell to see if it matches the diagram.



## Contents

1x Monty, 1x safety peg

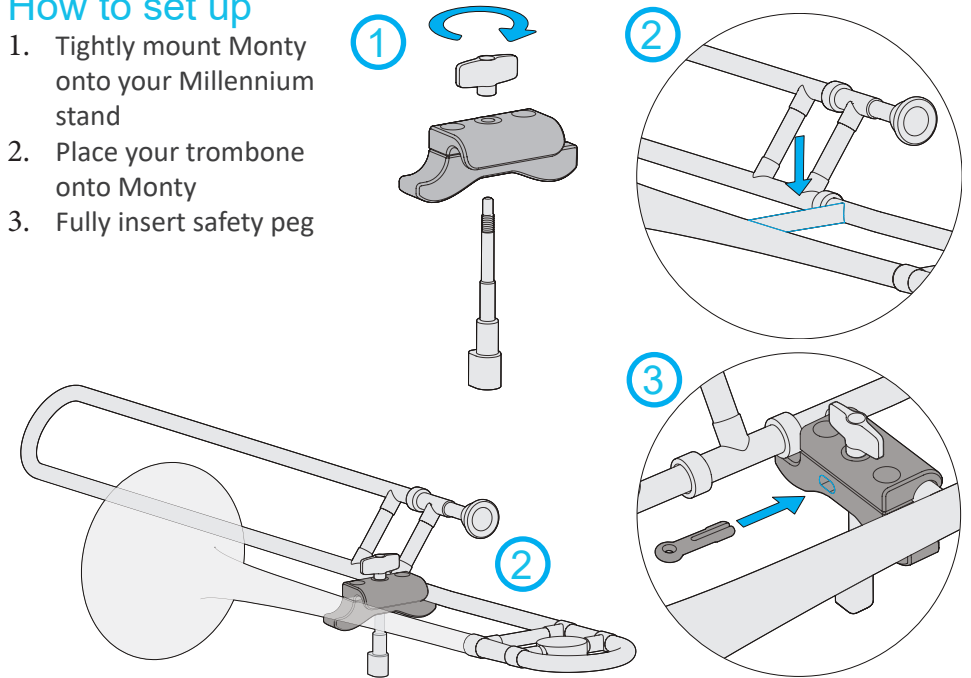


## About MERU

MERU is a charity that exists to improve life for children and young people with disabilities. We do this by designing and custom-making specialist equipment for use at home, at school or college, in hospital or at play. We are here to help when no ready made solution exists to meet a child or young person's needs. To help fund our charitable work we manufacture and sell products such as Flexzi and Monty.

## How to set up

1. Tightly mount Monty onto your Millennium stand
2. Place your trombone onto Monty
3. Fully insert safety peg



## Precautions

Monty must not be used for mounting any object other than the listed trombones. Do not expose the Monty to naked flame or excessive heat (above 60 degrees Celsius).

## Warranty

This product is warranted by MERU to be free from defects in materials and workmanship for a period of 12 months from the date of delivery. If any defect is found within this period, MERU will repair, or at its discretion, replace the device without charge for materials and labour. This Warranty is subject to the provision that the device:

- has been used solely in accordance with these instructions for the purpose for which it was intended
- has not been subjected to misuse or accident, or been modified or repaired by any person other than someone authorised by MERU.

This warranty does not affect your statutory rights.

Unit 2 Eclipse Estate, 30 West Hill, Epsom, Surrey KT19 8JD, UK  
+44 (0)1372 725203 | [info@meru.org.uk](mailto:info@meru.org.uk) | [www.meru.org.uk](http://www.meru.org.uk)

# moustache monty

An adapter to hold a  
trombone by

**meru**  
disabilities to possibilities

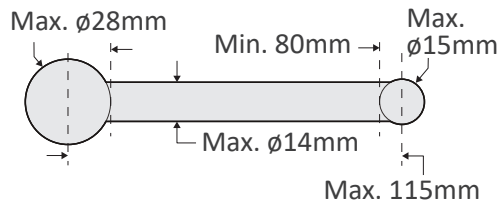
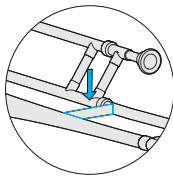


## About Monty

Monty is a helpful moustache that will hold a trombone whilst it is being played. Monty fits onto the Millenium CB-801, CS-901, and CB-901.

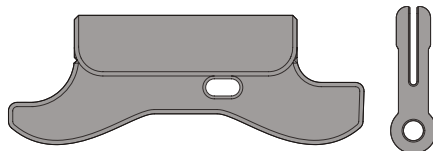
## Fit

Monty has been tested with the following Jupiter trombones; JTB500Q, JTB700Q, JTB700SQ, JTB700V, JTB700VS, JTB700VR, JTB1100Q, JTB1100SQ, and JTB1100RQ. Else, measure the brace closest to the Bell to see if it matches the diagram.



## Contents

1x Monty, 1x safety peg

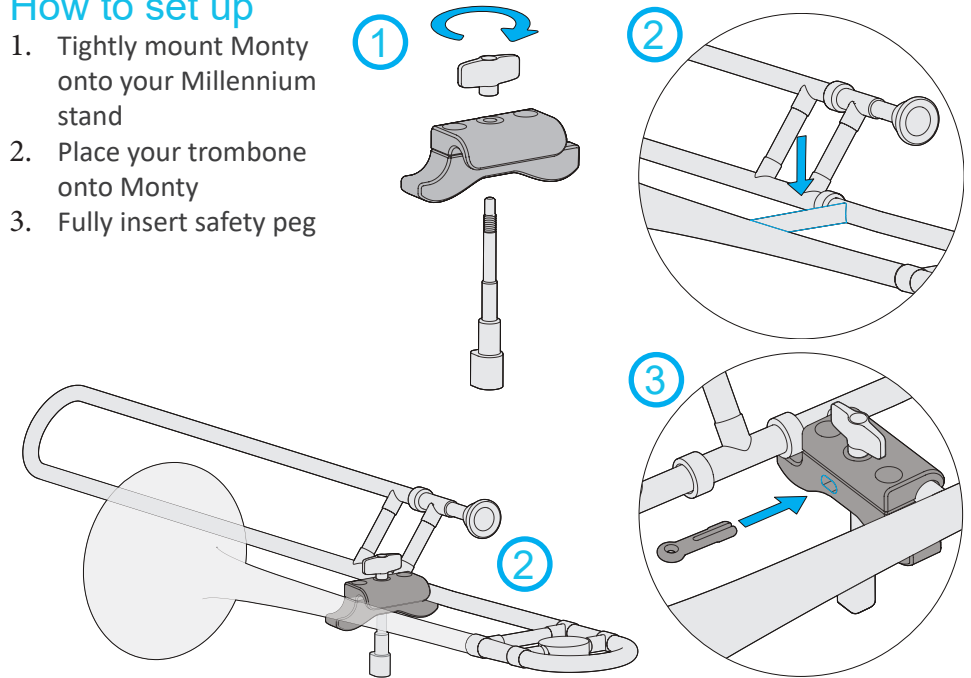


## About MERU

MERU is a charity that exists to improve life for children and young people with disabilities. We do this by designing and custom-making specialist equipment for use at home, at school or college, in hospital or at play. We are here to help when no ready made solution exists to meet a child or young person's needs. To help fund our charitable work we manufacture and sell products such as Flexzi and Monty.

## How to set up

1. Tightly mount Monty onto your Millennium stand
2. Place your trombone onto Monty
3. Fully insert safety peg



## Precautions

Monty must not be used for mounting any object other than the listed trombones. Do not expose the Monty to naked flame or excessive heat (above 60 degrees Celsius).

## Warranty

This product is warranted by MERU to be free from defects in materials and workmanship for a period of 12 months from the date of delivery. If any defect is found within this period, MERU will repair, or at its discretion, replace the device without charge for materials and labour. This Warranty is subject to the provision that the device:

- has been used solely in accordance with these instructions for the purpose for which it was intended
- has not been subjected to misuse or accident, or been modified or repaired by any person other than someone authorised by MERU.

This warranty does not affect your statutory rights.

Unit 2 Eclipse Estate, 30 West Hill, Epsom, Surrey KT19 8JD, UK  
+44 (0)1372 725203 | [info@meru.org.uk](mailto:info@meru.org.uk) | [www.meru.org.uk](http://www.meru.org.uk)

Medical Engineering Resource Unit Registered Charity No 269804 Company Limited by Guarantee No 1214125

