

Trumpet Adapter

An adapter to hold a Trumpet by



About

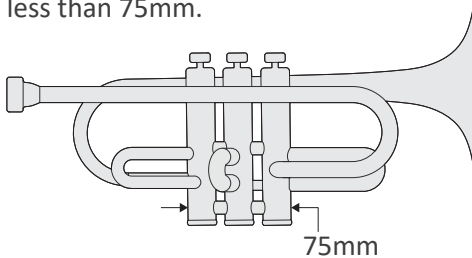
The Trumpet Adapter is a helpful bracket that attaches onto your Trumpet which can then be fully supported by a stand.

The Trumpet Adapter fits onto the Millenium CB-801, CS-901, and CB-901 Stands, and can hold onto the following Jupiter Trumpets; JTR500Q, JTR700Q, JTR1100Q, and JTR1110RQ



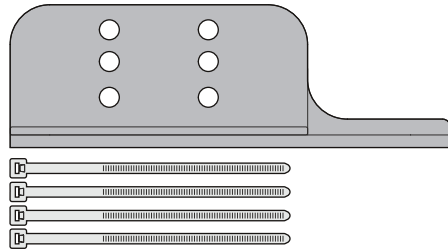
Fit

The Trumpet Adapter can hold trumpets with a total valve width of less than 75mm.



Contents

- 1x Trumpet Adapter
- 4x Cable Ties

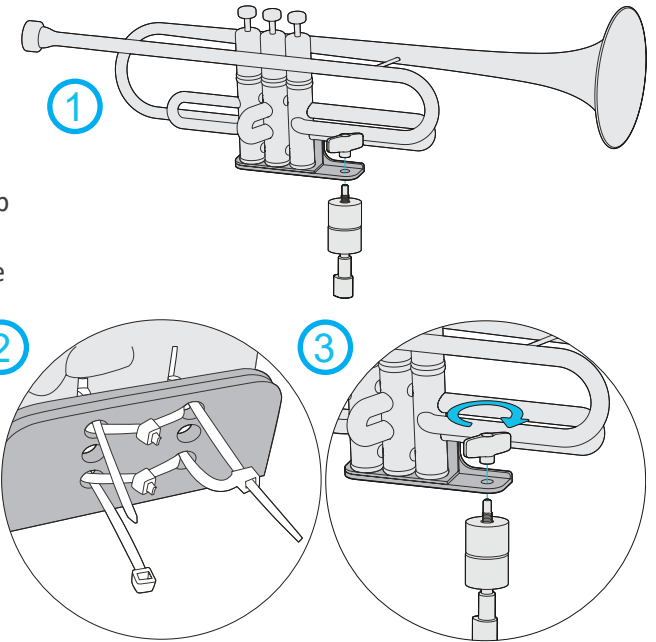


About MERU

MERU is a charity that exists to improve life for children and young people with disabilities. We do this by designing and custom-making specialist equipment for use at home, at school or college, in hospital or at play. We are here to help when no ready made solution exists to meet a child or young person's needs. To help fund our charitable work, we manufacture and sell products such as this Trumpet Adapter.

How to set up

1. Align the mount to the trumpet as shown.
2. Attach using cable ties supplied.
3. Mount using the thumb screw on top of 2 felt pads (supplied with the stand).



Precautions

The Trumpet Adapter must not be used for mounting any object other than the listed Trumpets. The pre-attached felt strips are temporarily held in place to aid installing the trumpet, insure they are aligned correctly before installation. Do not expose the Trumpet Adapter to naked flame or excessive heat (above 60 degrees Celsius).

Warranty

This product is warranted by MERU to be free from defects in materials and workmanship for a period of 12 months from the date of delivery. If any defect is found within this period, MERU will repair, or at its discretion, replace the device without charge for materials and labour. This Warranty is subject to the provision that the device:

- has been used solely in accordance with these instructions for the purpose for which it was intended
- has not been subjected to misuse or accident, or been modified or repaired by any person other than someone authorised by MERU.

This warranty does not affect your statutory rights.

Unit 2 Eclipse Estate, 30 West Hill, Epsom, Surrey KT19 8JD, UK
+44 (0)1372 725203 | info@meru.org.uk | www.meru.org.uk

